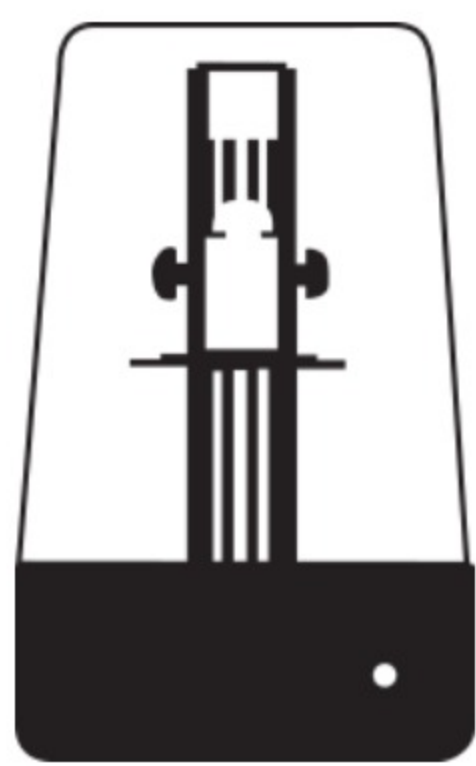


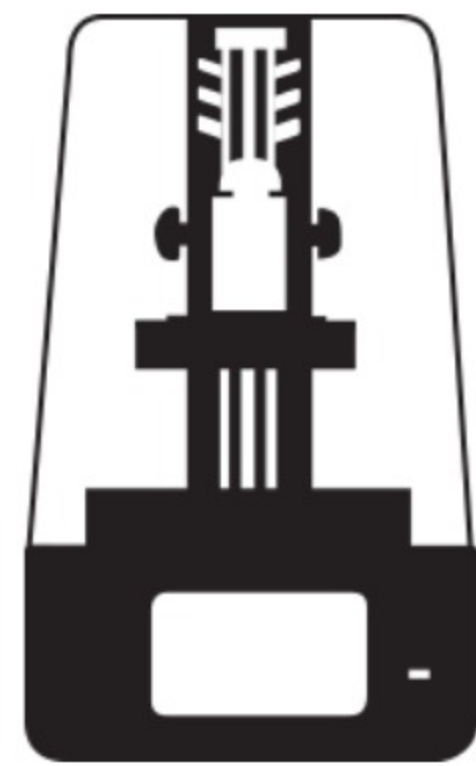
## Printer Dimensions

LC Precision



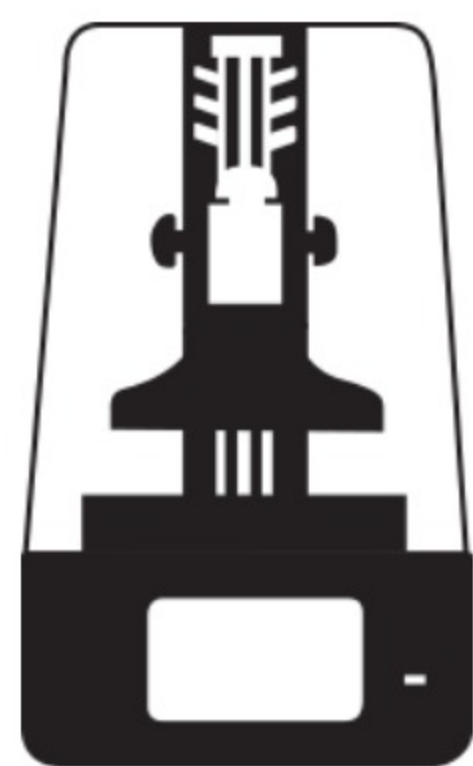
38 x 35 x 58 cm  
17 x 15 x 23 in  
(W) x (D) x (H)

LC Precision 1.5



38 x 35 x 58 cm  
17 x 15 x 23 in  
(W) x (D) x (H)

LC HR2



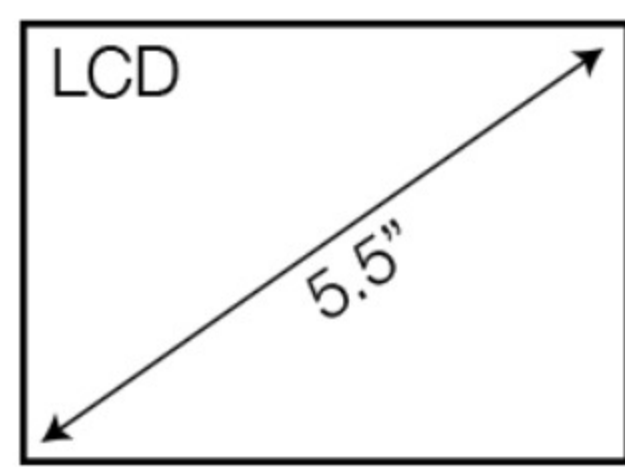
38 x 35 x 59 cm  
15 x 13.7 x 23 in  
(W) x (D) x (H)

LC PRO

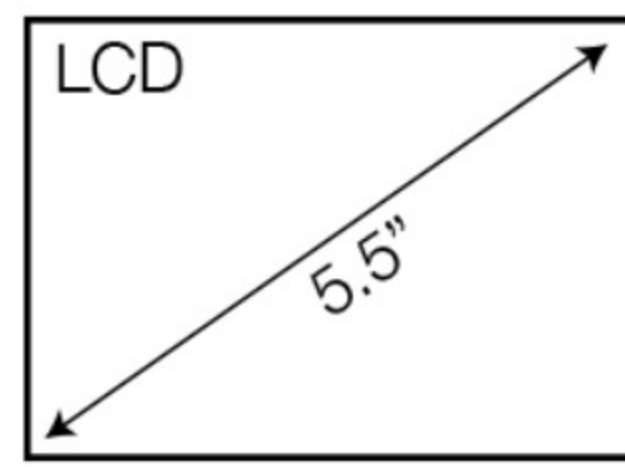


82 x 49 x 74 cm  
33 x 20 x 29 in  
(W) x (D) x (H)

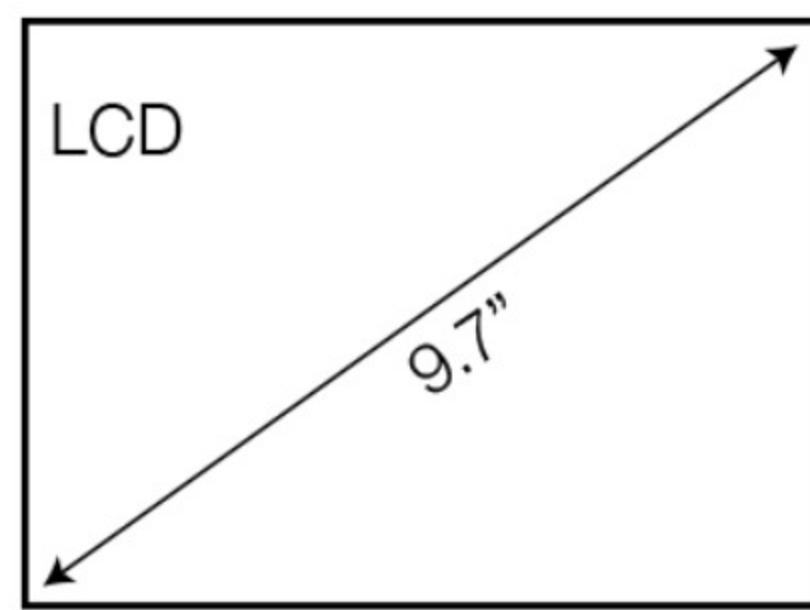
## LCD specification



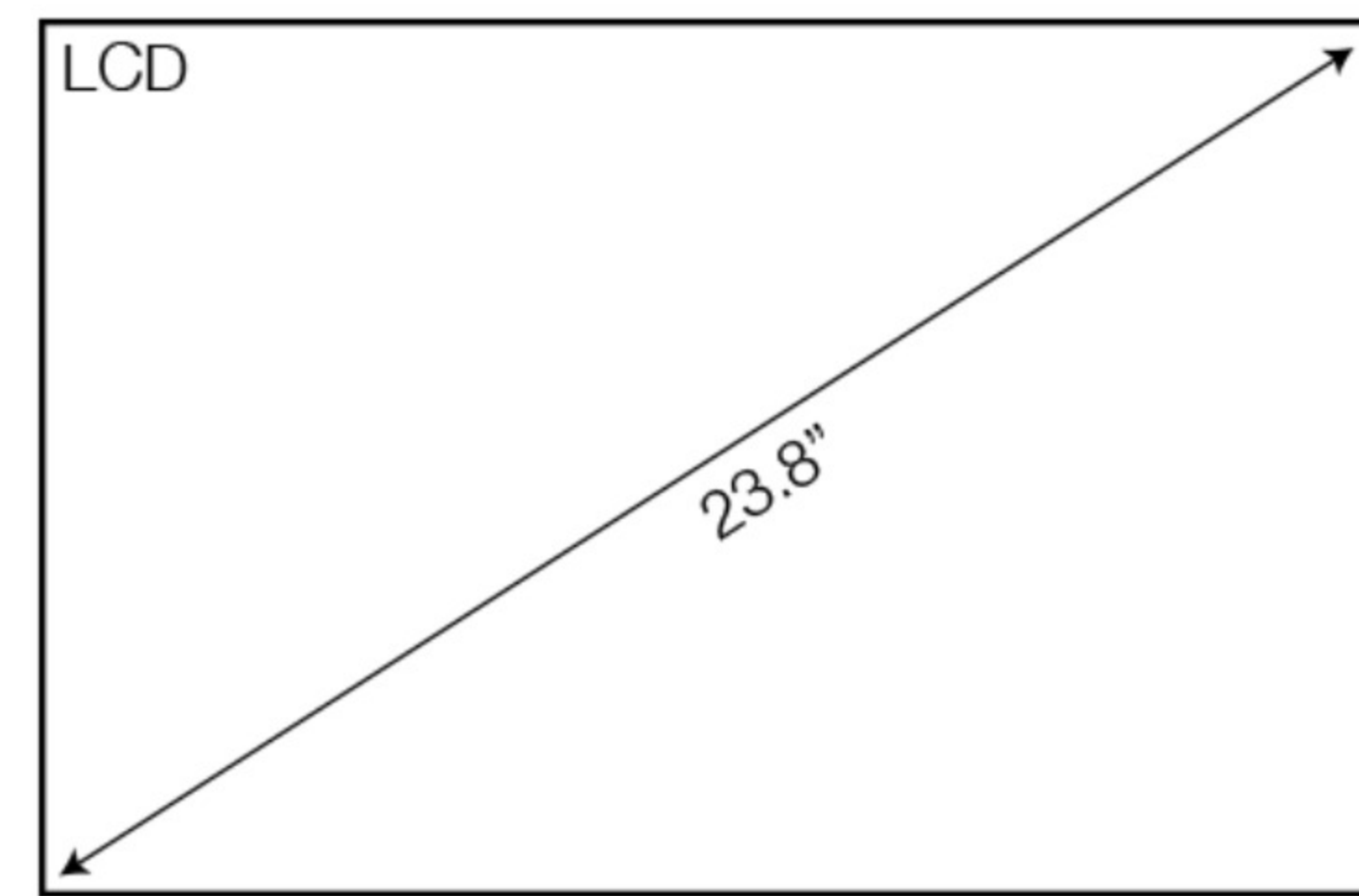
2560 x 1440 px



2560 x 1440 px

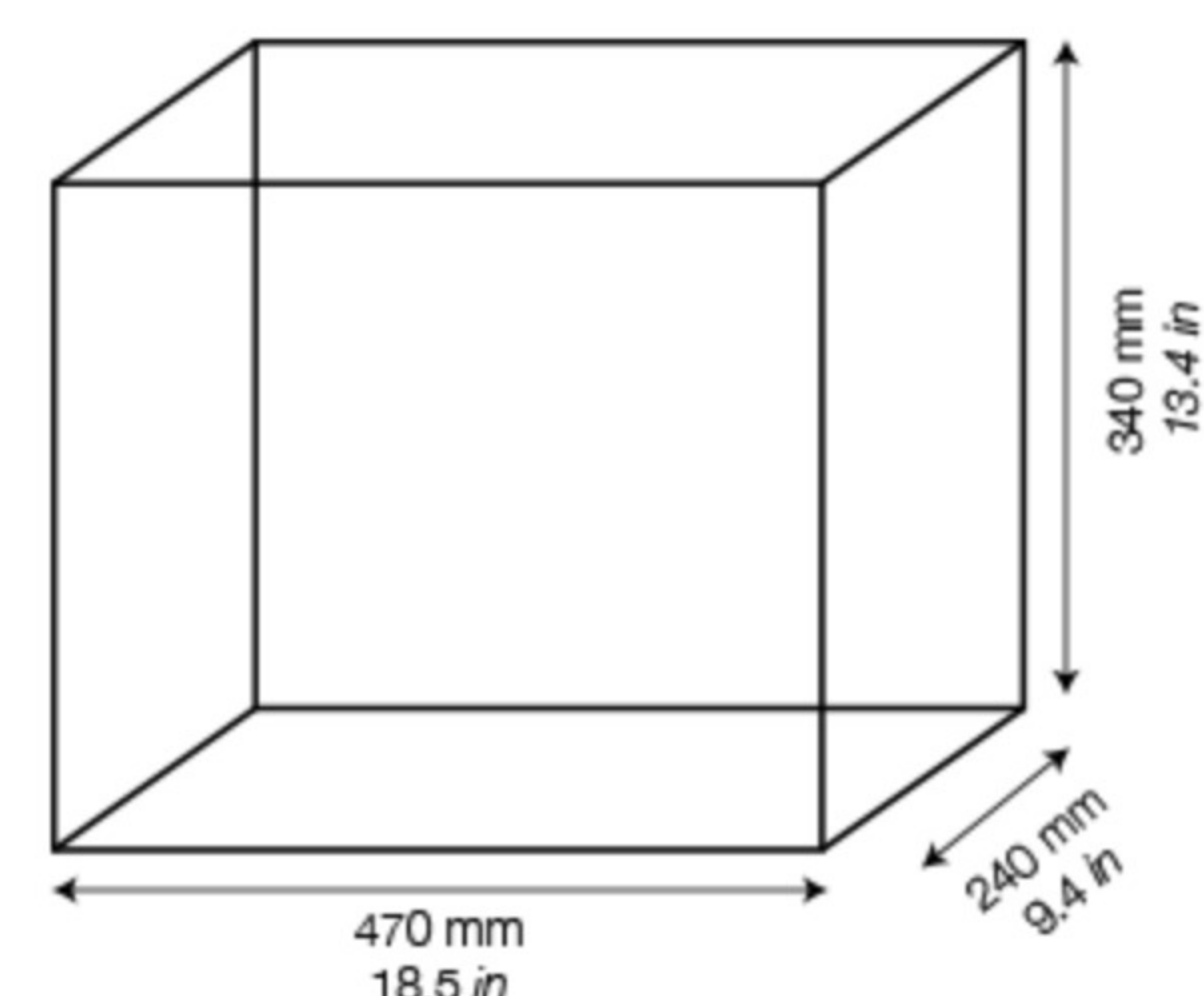
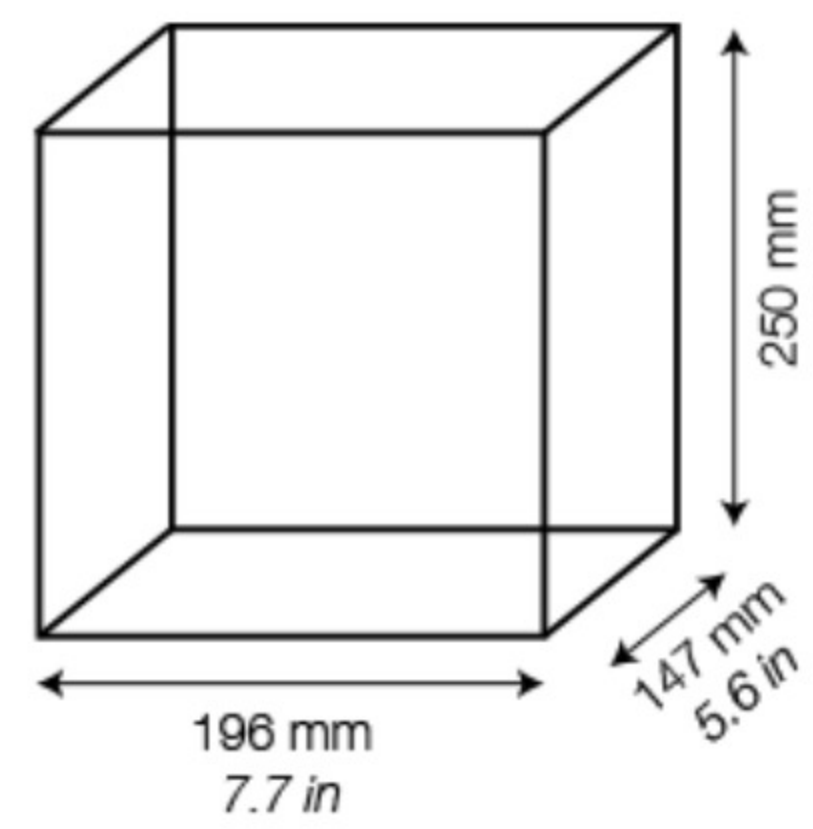
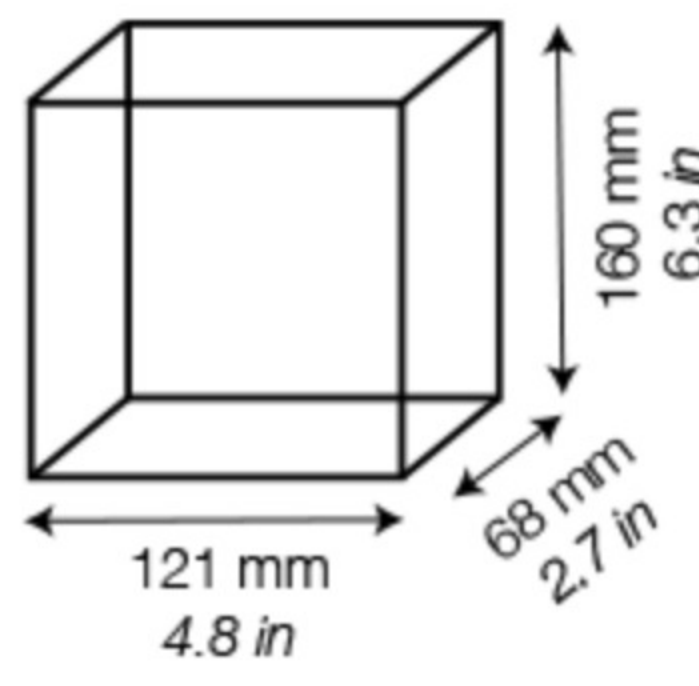
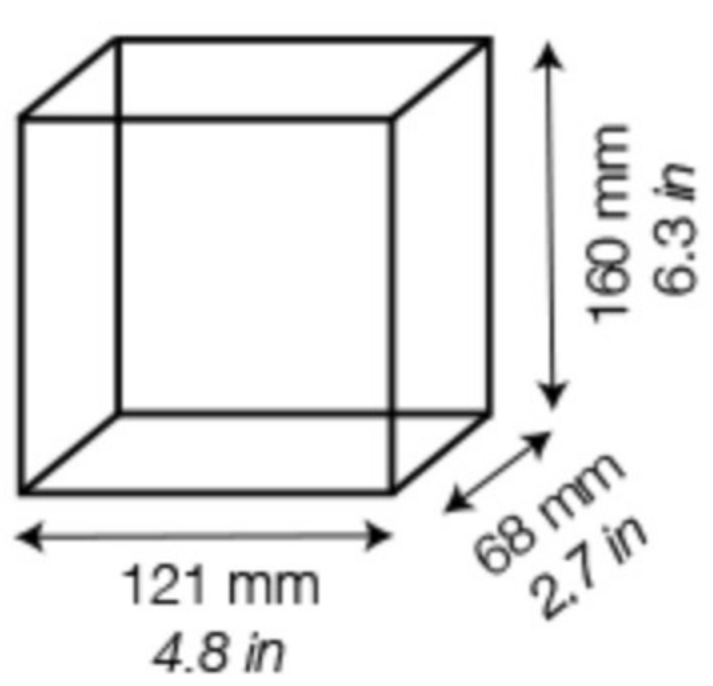


2048x1536 px

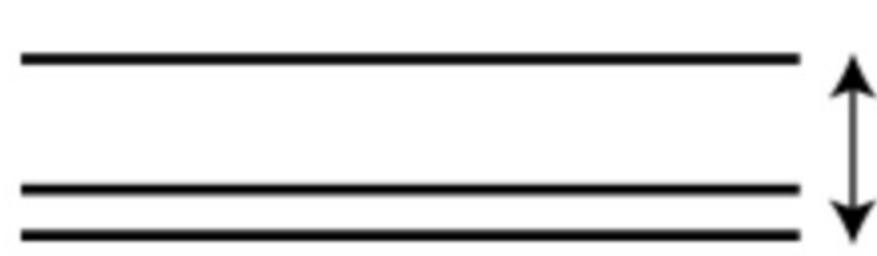


3840x2160 px

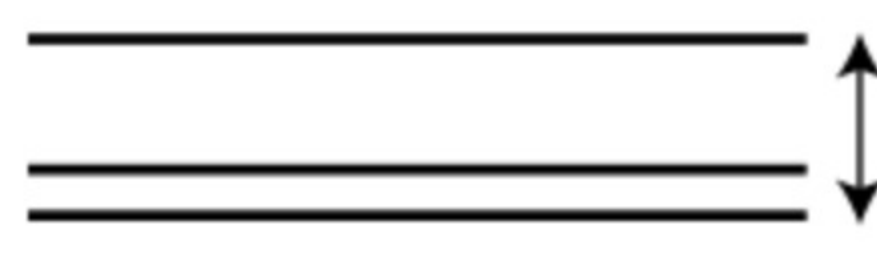
## Build Volume



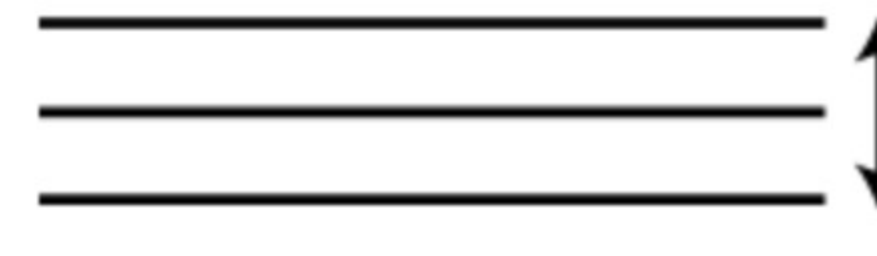
## Layer Thickness



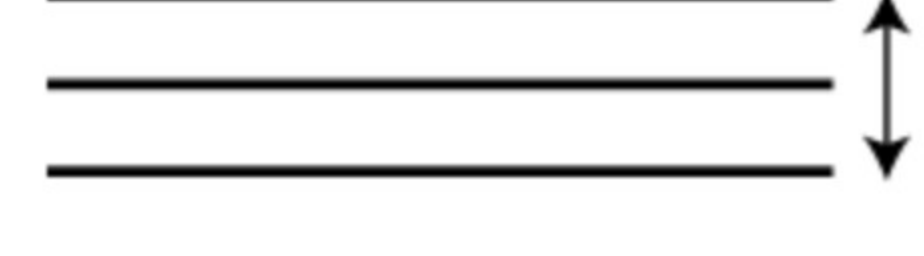
25, 50, 100 microns  
0.001, 0.002, 0.004 inches



25, 50, 100 microns  
0.001, 0.002, 0.004 inches



50, 100 microns  
0.002, 0.004 inches



50, 100 microns  
0.002, 0.004 inches

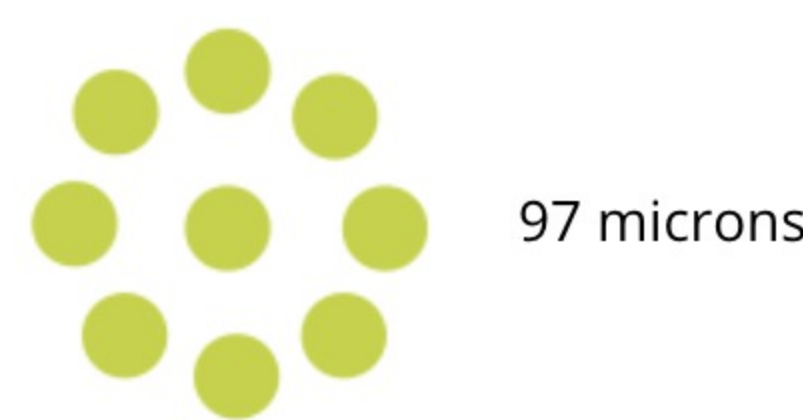
## XY Pixel Density



47 microns



47 microns



97 microns



137 microns

## Cure speed

(at 100 micron and dependant on resin)



4-11 sec/layer



4-11 sec/layer



25-55 sec/layer



50-100 sec/layer

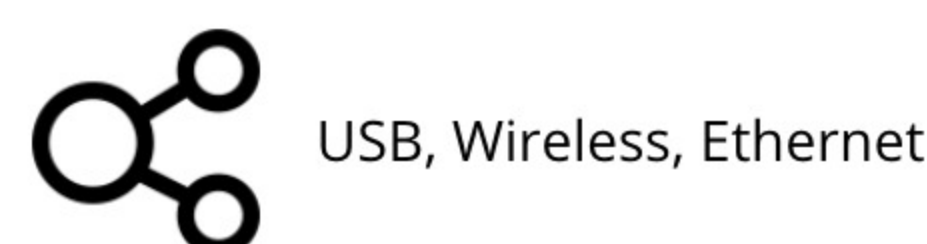
## Connection Type



USB Cable, HDMI



USB Cable



USB, Wireless, Ethernet

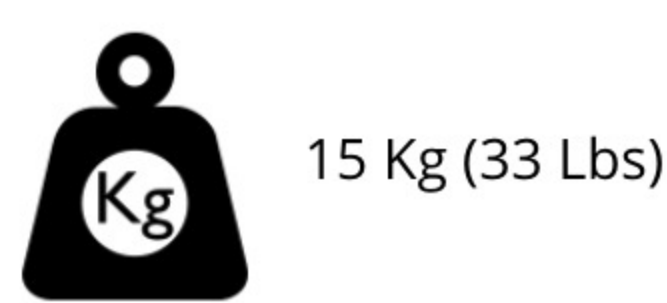


USB Cable

## Weight



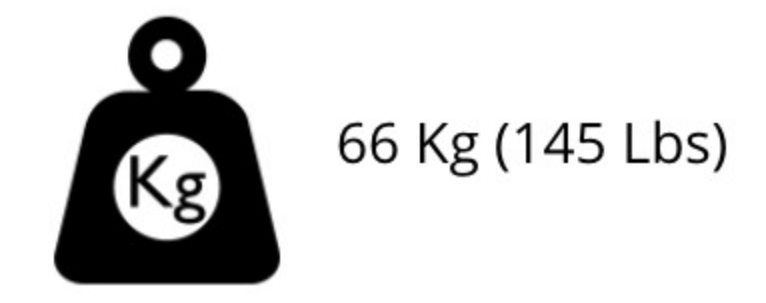
15 Kg (33 Lbs)



15 Kg (33 Lbs)



15 Kg (33 Lbs)



66 Kg (145 Lbs)

## Software



## Power requirements



100-240 V,  
UK/USA/EU plug

1 Year warranty



100-240 V,  
UK/USA/EU plug

1 Year warranty



100-240 V,  
UK/USA/EU plug

1 Year warranty



100-240 V,  
UK/USA/EU plug

## Autohoming

NO

YES

YES

NO

## Touchscreen

NO

YES

YES

NO

## Printer pack contents

Printer Hood, Power Supply, Power Adaptor, HDMI Cable, USB Cable, Platform, Disposable Vat x 2, Vat Cleaning Tool, Paper Filter x 5, Funnel, Spatula, Blue Nitrile Gloves- Medium x 2, 250gr of Daylight Resin, Print Sample, Spray Bottle, Quick Instructions.

Printer Hood, Power Supply, Power Adaptor, Pre-Homed Platform, Disposable Vat x 2, Vat Cleaning Tool, Paper Filter x 5, Funnel, Spatula, Blue Nitrile Gloves- Medium x 2, 250gr of Daylight Resin, Print Sample, Spray Bottle, Quick Instructions

Printer Hood, Power Supply, Power Adaptor, Build Platform, Disposable Vat x 2, Allen Key, Strainer x 5, Funnel, Spatula, Blue Nitrile Gloves- Medium x 2, 250gr of Daylight Resin, Print Sample Quick Instruction, USB Memory Stick.

Scraper, Ratchet Socket Wrench, Nut Socket, Allen Key, Funnel, Paper Strainer x 10, Spray Bottle, Nitrile Gloves x 4, Vat Film Pack sub-assembly, Gasket pack sub-assembly, 5 Kg resin, 2 VAT film replacement, USB Cable, Display Port Cable, AC Cable, Quick Instructions

## Minimum computer requirements

Dual Core Processor or above, Windows (Not compatible with Mac or Linux), 2GB Ram memory or above.

Dual Core Processor or above, Windows (Not compatible with Mac or Linux), 2GB Ram memory or above.

Dual Core Processor or above, Windows (Not compatible with Mac or Linux), 2GB Ram memory or above.

Dual Core Processor or above, Windows (Not compatible with Mac or Linux), 2GB Ram memory or above. Spare display port connection. Note: In order to run at max resolution a 4K video card is required.